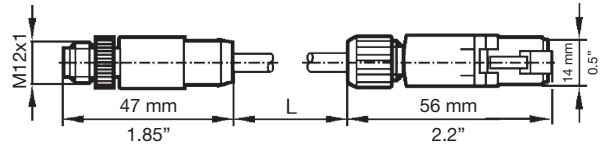
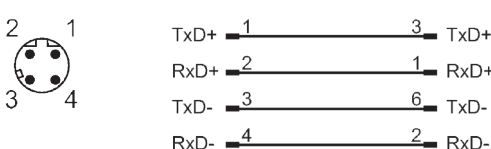
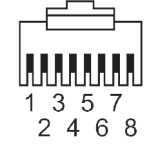


016-160

ETHERNET PROGRAMMING CABLE



DESCRIPTION	M12 / RJ45 Ethernet cross-over patch cable
MATERIAL	PUR / Brass, nickel-plated
COLOUR	Green (sheath)
MECHANICAL	M12 Tightening torque 0.7 Nm to 0.9 Nm
PROTECTION	IP67 (M12) / IP42 (RJ42) NEMA 6 (M12) / 3R (RJ42)
TEMPERATURE RATING	-20 °C to +70 °C -4 °F to +158 °F
WEIGHT	0.167 kg 5.9 oz
WIRING	<p>LENGTH 2 m 6 ft 7"</p> <p>OVERALL DIAMETER 6.2 mm 0.24"</p> <p>INDIVIDUAL WIRES 4 x 0.33 mm² 22 AWG</p>   



DEEP SEA ELECTRONICS PLC UK
 Highfield House, Hunmanby Industrial Estate, Hunmanby YO14 0PH
TELEPHONE +44 (0) 1723 890099 **FACSIMILE** +44 (0) 1723 893303
EMAIL sales@deepseapl.com **WEBSITE** www.deepseapl.com

DEEP SEA ELECTRONICS INC USA
 3230 Williams Avenue, Rockford, IL 61101-2668 USA
TELEPHONE +1 (815) 316 8706 **FACSIMILE** +1 (815) 316 8708
EMAIL sales@deepseausa.com **WEBSITE** www.deepseausa.com

Deep Sea Electronics Plc maintains a policy of continuous development and reserves the right to change the details shown on this data sheet without prior notice. The contents are intended for guidance only

Registered in England & Wales No.01319649
 VAT No.316923457

055-209/07/16 (1) US