

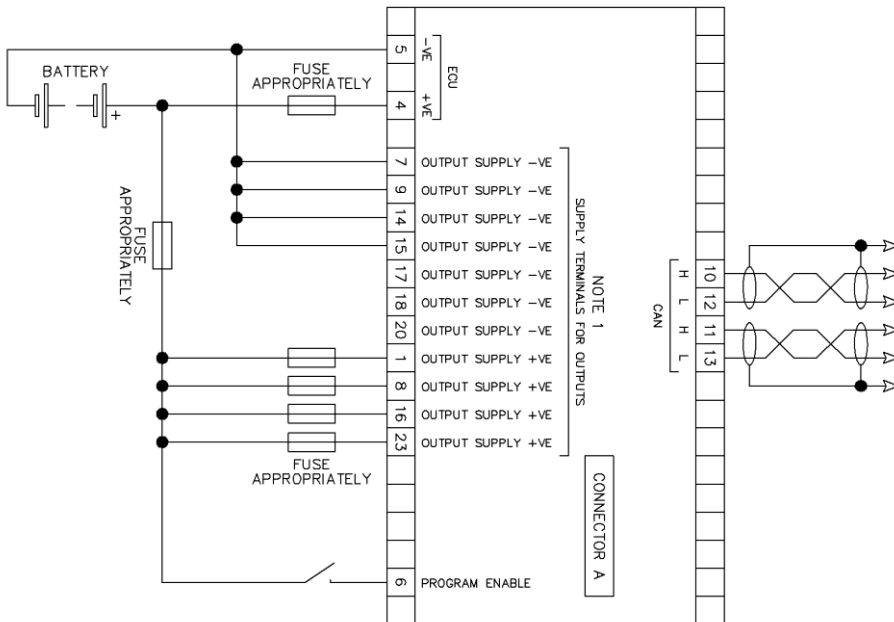
FUSING

NOTE: Maximum total current of the device is 36 A. This includes the device current consumption plus the current supplied to the outputs. Each Output Supply pin is rated Max 16 A.

Select fuses appropriately to protect the circuits connected to the device's outputs.

Pin	Description	Comments	Recommended Fuse Size
A1, A8, A16, A23	Output Supply	Output Supply +VE pins are internally connected. To allow for the maximum rated current of all outputs to be supplied, ensure all Output Supply pins are connected and fused as specified.	16 A Max per Pin

NOTE: Unused cores, in particular core loops, lead to interference coupling that influence the connected controller.



NOTE 1
ADDITIONAL OUTPUT SUPPLY -VE PINS ARE PROVIDED SO THAT AN OUTPUT CAN HAVE AN INDIVIDUAL TERMINAL AS ITS RETURN. ENSURE THAT AN OUTPUT SUPPLY -VE PIN IS CONNECTED TO BATTERY -VE FOR EVERY CONNECTED OUTPUT SUPPLY +VE.



DEEP SEA ELECTRONICS DSEM240 Installation Instructions

053-228 ISSUE 1

DSEM240 is a *slave* device, operating as a *CAN Node* to provide additional inputs/outputs to a compatible device.

DSEM240 is not directly configured. Instead it's configuration is provided by the *Host Device* to which it is connected and hence contained within the application program. Once configured, the DSEM240 settings may be "saved" by the host application to allow the DSEM240 to be power-cycled without loss of settings.

These instructions are intended as a quick guide only. For complete instructions and specifications, refer to DSE part number *057-270 DSEM240 Operator Manual* available from www.deepseapl.com.

NOTE: DSEM240 is supplied by DSE with *Factory (Default) Settings* as detailed within DSE part number *057-270 DSEM240 Operator Manual* available from www.deepseapl.com.

NOTE: Cables / wires must be installed as indicated by the manufacturer to ensure IP67 rating and prevent water entering the device. Part number of suitable connectors are detailed in DSE part number *057-270 DSEM240 Operator Manual* available from www.deepseapl.com.

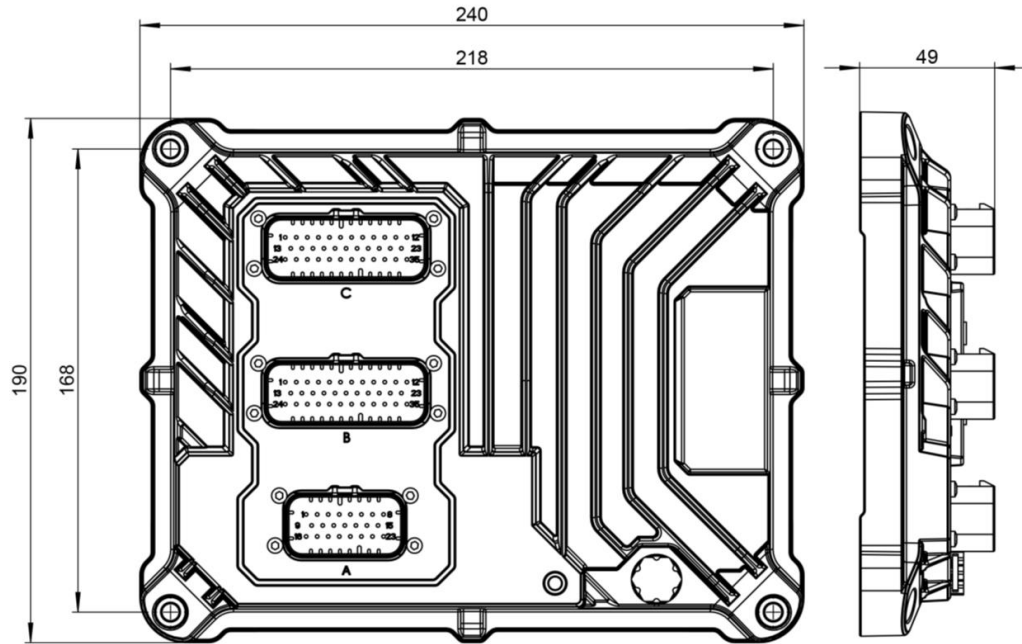
NOTE: To ensure the protection of the device against electrical interference and the safe function of the device, the housing must be connected to the ground of the vehicle / machine.

NOTE: DSEM240 has a configurable internal *CAN Termination Resistor*. Ensure that only one M240 (at the end of the CAN link) has the termination resistor enabled.

Deep Sea Electronics Ltd.
Tel: +44 (0)1723 890099
Fax: +44 (0)1723 893303
Email: sales@deepseapl.com
Web: www.deepseapl.com

Deep Sea Electronics Inc
Tel: +1 (815) 316-8706
Fax: +1 (815) 316-8708
Email: sales@deepseausa.com
Web: www.deepseausa.com

DIMENSIONS



Dimensions in mm

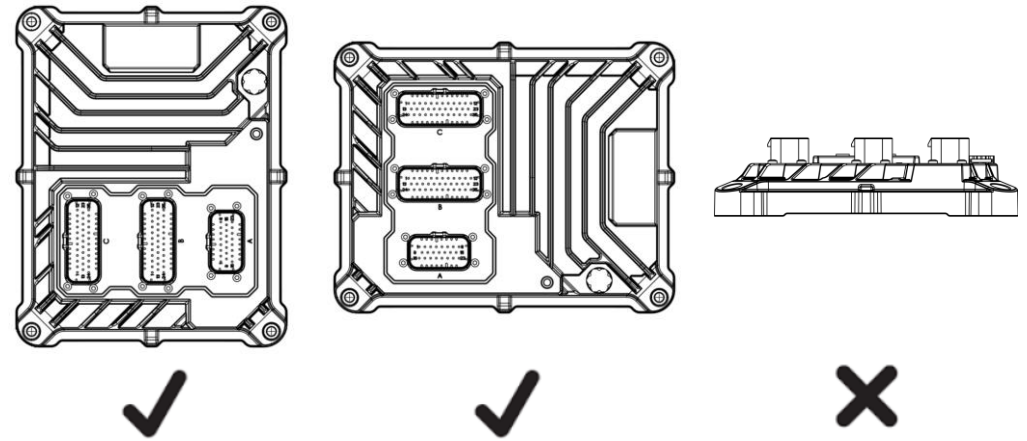
Description	Specification
Overall Dimensions	240 mm x 190 mm x 49 mm (9.45 " x 7.48 " x 1.46 ")
Mounting Holes	Suitable for M6 bolts
Mounting Hole Centres	218 mm x 168 mm (8.58 " x 6.61 ")
Mounting Bolt Material Recommendation	Steel or Stainless Steel
Mounting Bolt Tightening Torque	8 Nm +/- 2 Nm
Overall Shipping Weight	1.58 kg

SURFACE

The controller must be mounted on a flat surface.
Use compensating elements if there is no flat mounting surface available.
For steel surfaces, ensure that it is protected against corrosion.

MOUNTING

Install the controller in such a way to allow any condensation that may form to flow out.



CONNECTORS AND HARNESES

Description	DSE Part	Manufacturer Part	Manufacturer
DSEM240 Connector Kit (Set of 3), supplied with 100 pins.	007-1021	1 x 770680-1 1 x 776164-5 1 x 776164-1 100 x 770854-1	TE Connectivity
Connector Pin Crimp	N/A	770854-1	TE Connectivity
DSEM240 Connector Harness Kit (Set of 3)	007-175	N/A	DSE
Belden 9841	016-030	9841	Belden
Pin Blank Inserts (Seals unused connector pins)	N/A	114017	TE Connectivity