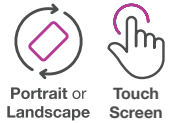


DSEM810 – 10” Programmable Display (Non Keyed / Keyed Variants)

Part Numbers: M810-01, M810-02, M810-03, M810-04



Overview

The DSEM810 is a 10” programmable display designed for use on vehicles and off-highway machinery. Developed for use as a standalone product or as part of a larger system, the DSEM810 provides users with outstanding flexibility. CANopen, SAE J1939 and raw CAN connectivity allow the configurable on-board I/O to be supplemented with a range of devices including DSEM64X programmable controllers or CAN enabled distributed I/O such as DSE2160 or DSE2170.

Two independent CAN interfaces and onboard Ethernet provides flexibility to connect with a range of external equipment. Panel mounting and RAM mount options are both available, along with the option to use in landscape or portrait orientation. The DSEM810 is configured using CODESYS 3.5 or Qt 6.

Key Features

- Optically bonded 10.1” colour display for harsh environments.
- Daylight visible, anti-glare display (1000 cd/m² (nit))
- Capacitive touch screen with glove support.
- NXP i.MX 8 DualXPlus processor with GPU.
- 8 GB flash / 1 GB RAM.
- 4 outputs (Digital / PWM).
- 4 inputs (Digital, resistive, voltage, current, frequency input)
- Keyed variant features 12 configurable backlit keys.
- 2 independent CAN interfaces (J1939, CANopen and Raw CAN)
- Real time clock
- Ethernet, including CODESYS Modbus TCP Client
- Audio output
- 2 analogue camera inputs, TCP/IP camera
- Web browser
- PDF viewer
- Movie player
- USB for firmware / application updates and additional storage for files / data logs

Product Documentation

057-357 – DSEM810 Operator Manual
 057-358 – DSEM810 CODESYS Manual
 057-359 – DSEM810 Qt Manual



DEEP SEA ELECTRONICS UK
 T: +44 (0) 1723 890099
 E: sales@deepseaelectronics.com
 W: www.deepseaelectronics.com

DEEP SEA ELECTRONICS USA
 T: +1 (815) 316 8706
 E: usasales@deepseaelectronics.com
 W: www.deepseaelectronics.com

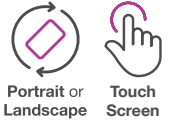
DEEP SEA ELECTRONICS UAE
 T: +971 (0) 45910819
 E: uaesales@deepseaelectronics.com
 W: www.deepseaelectronics.com

DEEP SEA ELECTRONICS INDIA
 T: +91 20 68195900
 E: sales@deepseaelectronics.com
 W: www.deepseaelectronics.com



DSEM810 – 10” Programmable Display (Non Keyed / Keyed Variants)

Part Numbers: M810-01, M810-02, M810-03, M810-04



Specifications	
DC Supply	
Continuous Voltage Rating	8 V DC to 32 V DC continuous
Maximum Operating Current	< 1500 mA at 12 V and 24 V without external loads
Display	
Measurement	10.1” TFT, 1280 x 800 resolution 24 bit colour. Optically bonded.
Brightness	1000 cd/m ² (nit)
Inputs	
Type	Voltage 0 V to 5 V, 0 V to 10 V, 0 V to 32 V Current 0 mA to 20 mA Ratiometric Resistive 0 Ω to 3 kΩ Frequency 5 Hz to 30 kHz Digital positive / negative
Outputs	
Type	Digital - High side / low side PWM - High side 0 Hz to 250 Hz
Processor	
iMX8DualXPlus Microcontroller	2 x ARM Cortex A35 1 x ARM Cortex M4
Speed	1.2 GHz 264 MHz
Flash	4.6 GB available for application 8 GB total
RAM	1 GB

Product Documentation

- 057-357 – DSEM810 Operator Manual
- 057-358 – DSEM810 CODESYS Manual
- 057-359 - DSEM810 Qt Manual



DEEP SEA ELECTRONICS UK
T: +44 (0) 1723 890099
E: sales@deepseaelectronics.com
W: www.deepseaelectronics.com

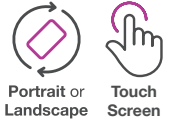
DEEP SEA ELECTRONICS USA
T: +1 (815) 316 8706
E: usasales@deepseaelectronics.com
W: www.deepseaelectronics.com

DEEP SEA ELECTRONICS UAE
T: +971 (0) 45910819
E: uaesales@deepseaelectronics.com
W: www.deepseaelectronics.com

DEEP SEA ELECTRONICS INDIA
T: +91 20 68195900
E: sales@deepseaelectronics.com
W: www.deepseaelectronics.com

DSEM810 – 10” Programmable Display (Non Keyed / Keyed Variants)

Part Numbers: M810-01, M810-02, M810-03, M810-04



Specifications	
Interfaces / Communications	
CAN 1 and 2	CAN Interfaces 2.0 A/B, ISO11898 50 kbits/s... 1 Mbit/s CANopen, SAE J1939 or Raw CAN
Ethernet	10 Mbit/s / 100 Mbit/s Duplex CODESYS Modbus TCP Client
USB	USB host 2.0 (480 Mbit/s)
WIFI	WIFI 2.4 GHz IEEE 801.11 b/g/n
Temperature	
Operating Temperature	-30 °C to +65 °C / -22 °F to + 149 °F
Storage Temperature	-30 °C to +80 °C / -22 °F to +176 °F
Dimensions	
Overall (W x H x D) with buttons	281 mm x 181 mm x 65.5 mm / 11.0" x 7.12" x 2.58"
Overall (W x H x D) without buttons	281 mm x 181 mm x 61.5mm / 11.0" x 7.12" x 2.42"
Panel Cut-Out (W x H)	260 mm x 165 mm (R 12 mm) / 10.2" x 6.5" (R 0.5")
Maximum Panel Thickness	6 mm / 0.2"
RAM Mountable	AMPS hole pattern

Related Products		
Programmable Controllers		
DSEM640	Programmable Controller (68 I/O)	M640-01
DSEM643	Programmable Controller (34 I/O)	M643-01
Expansion Devices		
DSE2160	CAN Input / Output Expansion Module	2160-01
DSE2170	CAN RTD / Thermocouple / Analogue Output Expansion Module	2170-01
Accessories		
DSEM810 Wiring Harness 1.2 m (3' 11")		016-189
DSEM810 Connector Set (including pins)		007-1178
Panel Mount Kit		100-413-01
RAM Mount Kit		100-414-01
Ethernet Cable		016-160
USB Cable		016-161

Product Documentation

057-357 – DSEM810 Operator Manual
057-358 – DSEM810 CODESYS Manual
057-359 – DSEM810 Qt Manual



DEEP SEA ELECTRONICS UK
T: +44 (0) 1723 890099
E: sales@deepseaelectronics.com
W: www.deepseaelectronics.com

DEEP SEA ELECTRONICS USA
T: +1 (815) 316 8706
E: usasales@deepseaelectronics.com
W: www.deepseaelectronics.com

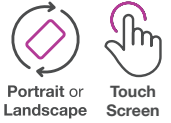
DEEP SEA ELECTRONICS UAE
T: +971 (0) 45910819
E: uaesales@deepseaelectronics.com
W: www.deepseaelectronics.com

DEEP SEA ELECTRONICS INDIA
T: +91 20 68195900
E: sales@deepseaelectronics.com
W: www.deepseaelectronics.com



DSEM810 – 10” Programmable Display (Non Keyed / Keyed Variants)

Part Numbers: M810-01, M810-02, M810-03, M810-04



Environmental Testing Standards	
CE Marking	
EN61000-6-2	Electromagnetic compatibility (EMC) noise immunity
EN61000-6-4	Electromagnetic compatibility (EMC) emission standard
BS EN 61010: 2010 +A1: 2019	Safety of information technology equipment, general requirements
E11	
UN/ECE-R10.06	E11
Water and Dust	
IEC60529	IP67 / NEMA6
Mechanical Tests	
EN 60068-2-64	Vibration Random Freq range: 10 Hz to 350 Hz
ISO 16750-3	Test VII; vibration Random mounting Location: vehicle body
EN 60068-2-27	Mechanical shock Shock pulse shape: Half sine Amplitude: 50 g Duration: 11 ms Number of shocks: 3 in each direction of each axis (9 in total of each duration)
EN 60068-2-27	Mechanical shock Shock pulse shape: Half sine Amplitude: 50 g Duration: 6 ms Number of shocks: 3 in each direction of each axis (9 in total of each duration)
ISO 16750-3	Bumps Amplitude: 30 g Duration: 6 ms; 24,000 shocks
Load Dump	
ISO 16750-2	151 V (Ri 1 Ω) 202 V (Ri 8 Ω)

Product Documentation

057-357 – DSEM810 Operator Manual
057-358 – DSEM810 CODESYS Manual
057-359 - DSEM810 Qt Manual



DEEP SEA ELECTRONICS UK
T: +44 (0) 1723 890099
E: sales@deepseaelectronics.com
W: www.deepseaelectronics.com

DEEP SEA ELECTRONICS USA
T: +1 (815) 316 8706
E: usasales@deepseaelectronics.com
W: www.deepseaelectronics.com

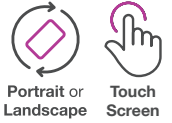
DEEP SEA ELECTRONICS UAE
T: +971 (0) 45910819
E: uaesales@deepseaelectronics.com
W: www.deepseaelectronics.com

DEEP SEA ELECTRONICS INDIA
T: +91 20 68195900
E: sales@deepseaelectronics.com
W: www.deepseaelectronics.com



DSEM810 – 10” Programmable Display (Non Keyed / Keyed Variants)

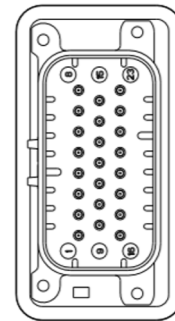
Part Numbers: M810-01, M810-02, M810-03, M810-04



Connector A	
Pin	Description
1	ECU Supply +ve
2	Audio Output +ve
3	Ignition +ve (15)
4	Camera 1 Signal +ve
5	Input -ve
6	Program Enable
7	Input 1
8	Input 2
9	ECU Supply -ve
10	Audio Output -ve
11	CAN 1 H
12	CAN 1 L
13	Camera 2 Signal +ve
14	Camera 1 & 2 Signal -ve
15	Input 3
16	VREF Output
17	Output 1
18	CAN 2 H
19	CAN 2 L
20	Output 2
21	Output 3
22	Output 4
23	Input 4

Connector Diagrams

Connector A



Product Documentation

- 057-357 – DSEM810 Operator Manual
- 057-358 – DSEM810 CODESYS Manual
- 057-359 - DSEM810 Qt Manual



DEEP SEA ELECTRONICS UK
 T: +44 (0) 1723 890099
 E: sales@deepseaelectronics.com
 W: www.deepseaelectronics.com

DEEP SEA ELECTRONICS USA
 T: +1 (815) 316 8706
 E: usasales@deepseaelectronics.com
 W: www.deepseaelectronics.com

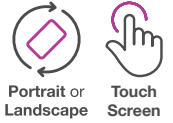
DEEP SEA ELECTRONICS UAE
 T: +971 (0) 45910819
 E: uaesales@deepseaelectronics.com
 W: www.deepseaelectronics.com

DEEP SEA ELECTRONICS INDIA
 T: +91 20 68195900
 E: sales@deepseaelectronics.com
 W: www.deepseaelectronics.com



DSEM810 – 10” Programmable Display (Non Keyed / Keyed Variants)

Part Numbers: M810-01, M810-02, M810-03, M810-04



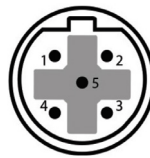
Ethernet - M12 'D' Coded	
Pin	Description
1	Tx+
2	Rx+
3	Tx-
4	Rx-
USB Host	
Pin	Description
1	+5 V DC
2	Data -
3	Data +
4	0 V
5	Shield
WIFI	
RF - SMA Female	Outside thread, female centre pin. (Suits antenna with SMA Male connector)

Connector Diagrams

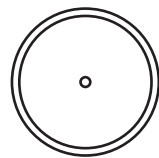
Ethernet



USB Host



WIFI



Product Documentation

057-357 – DSEM810 Operator Manual
057-358 – DSEM810 CODESYS Manual
057-359 - DSEM810 Qt Manual



DEEP SEA ELECTRONICS UK
T: +44 (0) 1723 890099
E: sales@deepseaelectronics.com
W: www.deepseaelectronics.com

DEEP SEA ELECTRONICS USA
T: +1 (815) 316 8706
E: usasales@deepseaelectronics.com
W: www.deepseaelectronics.com

DEEP SEA ELECTRONICS UAE
T: +971 (0) 45910819
E: uaesales@deepseaelectronics.com
W: www.deepseaelectronics.com

DEEP SEA ELECTRONICS INDIA
T: +91 20 68195900
E: sales@deepseaelectronics.com
W: www.deepseaelectronics.com

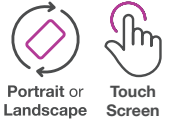
Deep Sea Electronics Ltd maintains a policy of continuous development and reserves the right to change the details shown on this data sheet without prior notice. The contents are intended for guidance only.

Registered in England & Wales No.01319649
VAT No.316923457



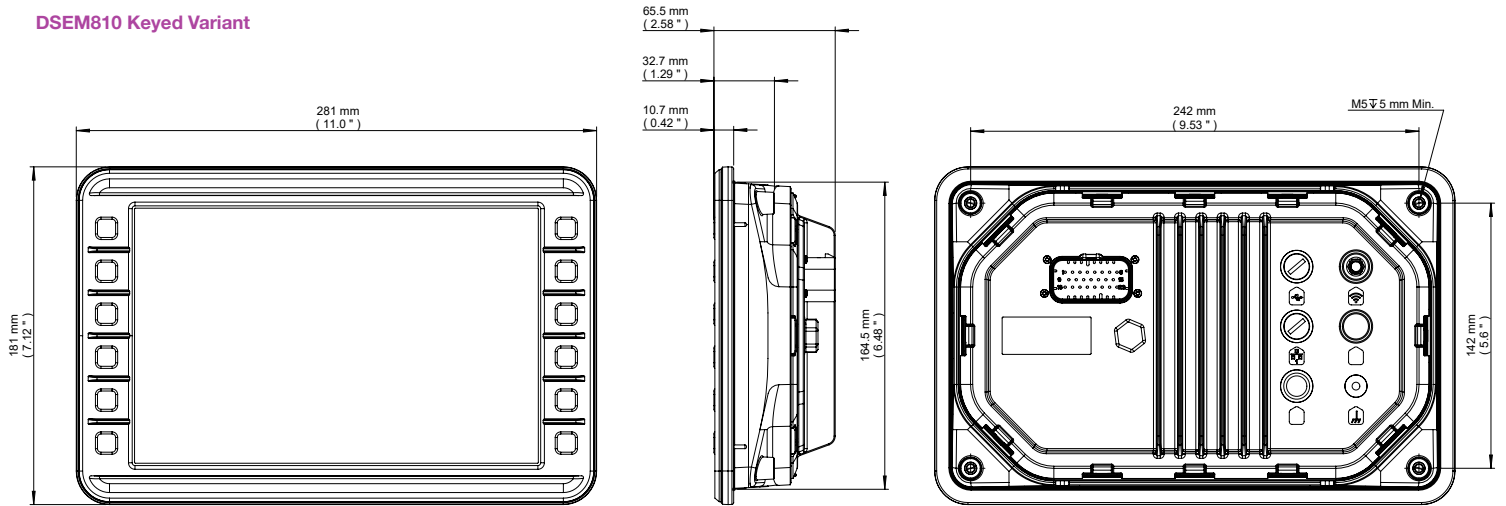
DSEM810 – 10” Programmable Display (Non Keyed / Keyed Variants)

Part Numbers: M810-01, M810-02, M810-03, M810-04

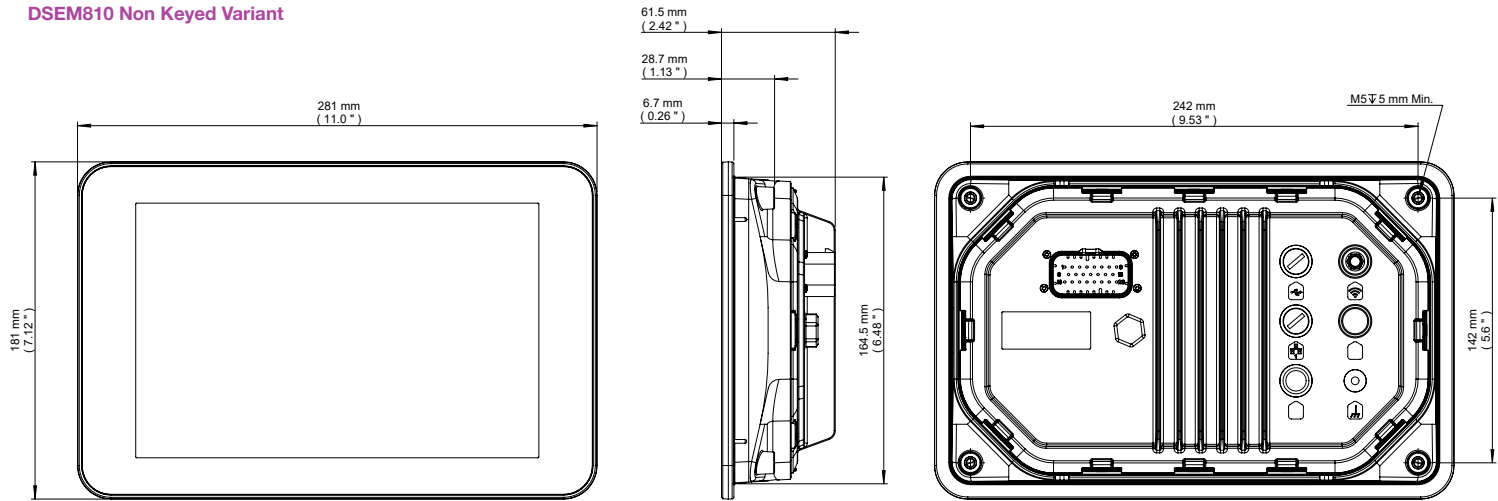


Technical Drawing

DSEM810 Keyed Variant



DSEM810 Non Keyed Variant



Product Documentation

- 057-357 – DSEM810 Operator Manual
- 057-358 – DSEM810 CODESYS Manual
- 057-359 – DSEM810 Qt Manual



DEEP SEA ELECTRONICS UK
 T: +44 (0) 1723 890099
 E: sales@deepseaelectronics.com
 W: www.deepseaelectronics.com

DEEP SEA ELECTRONICS USA
 T: +1 (815) 316 8706
 E: usasales@deepseaelectronics.com
 W: www.deepseaelectronics.com

DEEP SEA ELECTRONICS UAE
 T: +971 (0) 45910819
 E: uaesales@deepseaelectronics.com
 W: www.deepseaelectronics.com

DEEP SEA ELECTRONICS INDIA
 T: +91 20 68195900
 E: sales@deepseaelectronics.com
 W: www.deepseaelectronics.com