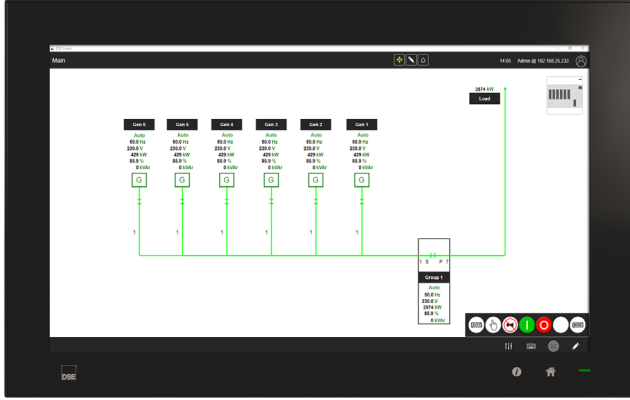


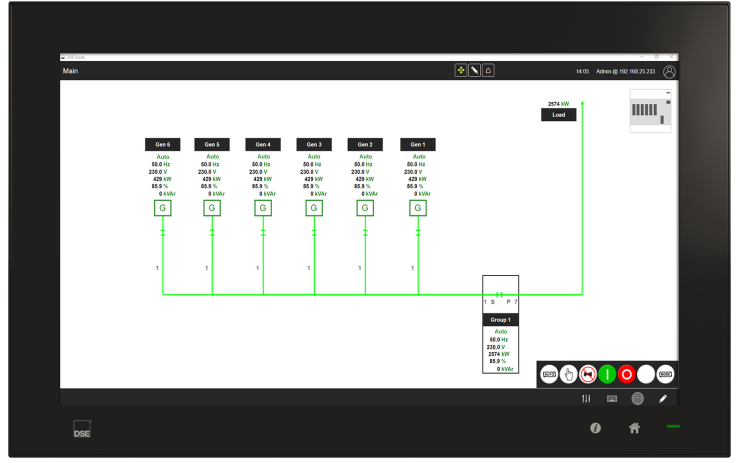
DSEG8015 / DSEG8021

15.6" Panel PC with DSE SCADA / 21.5" Panel PC with DSE SCADA

Part Number: G8015-01 / G8021-01



G8015



G8021

Hardware

The G8015 and G8021 are Windows based panel PC's running DSE SCADA software and are designed for use with the G8 Series paralleling controller platform. The units are available in 15.6" or 21.5" 1920 x 1080 LED backlit capacitive touchscreen display formats. When mounted, the units offer IP66 protection, and the powerful Intel processor ensures smooth operation. The units are connected to DSE G8 Series controllers via Ethernet.

Software

DSE SCADA is a secure software platform that provides advanced multi-set monitoring & commissioning functionality for G8 Series Controllers. The stand-alone software is pre-loaded onto each device, which includes a full software license. The software can be configured to connect with individual / multiple generators on the same site. Users can gain a full system overview from any remote location with an Internet connection. The software provides multi-set commissioning functionality, which allows users to commission multiple generators.

Key Features

- Powerful Intel® Atom® processor
- 4 GB SDRAM
- Multi-touch capacitive display
- 1 x Ethernet, 2 x USB 3.0, 1 x USB 2.0
- IP66 front panel protection
- Line out - Audio system connection
- Panel mount
- Windows 10 IoT Enterprise
- 2.5" SATA Solid State Drive
- System status LED indicators
- Wi-Fi hotspot capability
- Option to design as server/client configuration (See diagram on page 3)

Key Applications



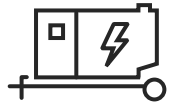
Hospitals



Industrial



Data Centers



Rental



Telecoms



Hybrid



Product Documentation

Title

DSEG8015 / G8021 Installation Instructions
 DSEG8015 / G8021 Operator Manual
 DSEG8015 / G8021 Configuration Suite PC Manual

Part No.

Coming Soon
 Coming Soon
 Coming Soon

DEEP SEA ELECTRONICS UK
 T: +44 (0) 1723 890099
 E: sales@deepseaelectronics.com
 W: www.deepseaelectronics.com

DEEP SEA ELECTRONICS USA
 T: +1 (815) 316 8706
 E: usasales@deepseaelectronics.com
 W: www.deepseaelectronics.com

DEEP SEA ELECTRONICS UAE
 T: +971 (0) 45910819
 E: uaesales@deepseaelectronics.com
 W: www.deepseaelectronics.com

DEEP SEA ELECTRONICS INDIA
 T: +91 20 68195900
 E: sales@deepseaelectronics.com
 W: www.deepseaelectronics.com

DSEG8015 / DSEG8021
15.6" Panel PC with DSE SCADA / 21.5" Panel PC with DSE SCADA

Part Number: G8015-01 / G8021-01

Specifications	
DC Supply	
Continuous Voltage Rating	24 V DC \pm 20 %
Interfaces	
Rear I/O	1 x Ethernet, 2 x USB 3.0, 1 x USB 2.0,
System	
CPU	Intel Atom E3940 1.6 GHz
Memory	4 GB DDR3L SDRAM
Storage Device	1 x 2.5" SATA Solid State Drive
Expansion	N/A
LCD Display Specification	
LCD Panel	FHD TFT LED LCD
Resolution	1920 x 1080
Luminance	15.6" = 450 cd/m ² / 21.5" = 250 cd/m ²
Contrast Ratio	15.6" = 800:1 / 21.5" = 1000:1
Viewing Angle	15.6" = 170°/170° / 21.5" = 178°/178°
Backlight	LED
Backlight Life	50,000 hours
Touchscreen	
Type	PCAP
Light Transmission	90% \pm 3%
Anti-Glare Treatment	Yes
Mechanical	
Housing	IP66 (front)
Mounting	Panel mount
Weight	G8015 = 8.12 Kg / G8021 = 11.22 Kg
Dimensions	15.6" = 419.7 mm x 269 mm x 60 mm / 21.5" = 558.4 mm x 349.8 mm x 60.3 mm
Panel Cutout	15.6" = 412.4 mm x 261.7 mm / 21.5" = 550.3 mm x 341.8 mm
Operating System	
OS	Windows 10 IoT Enterprise LTSP / LTSC
Operating Conditions	
Operating Temperature	-20° C - 60° C
Storage Temperature	-20° C - 60° C

DSEG8015 / DSEG8021

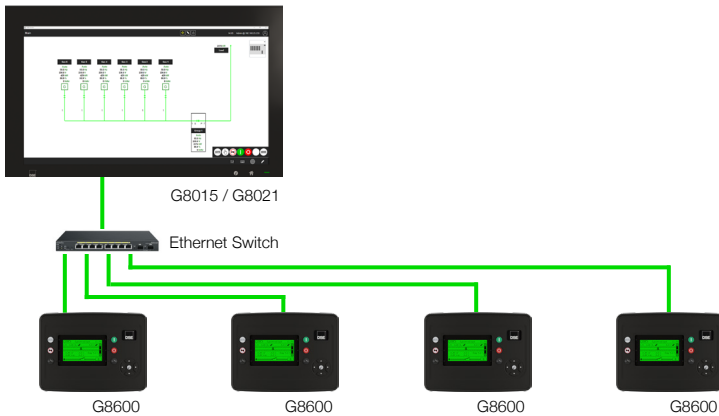
15.6" Panel PC with DSE SCADA / 21.5" Panel PC with DSE SCADA

Part Number: G8015-01 / G8021-01

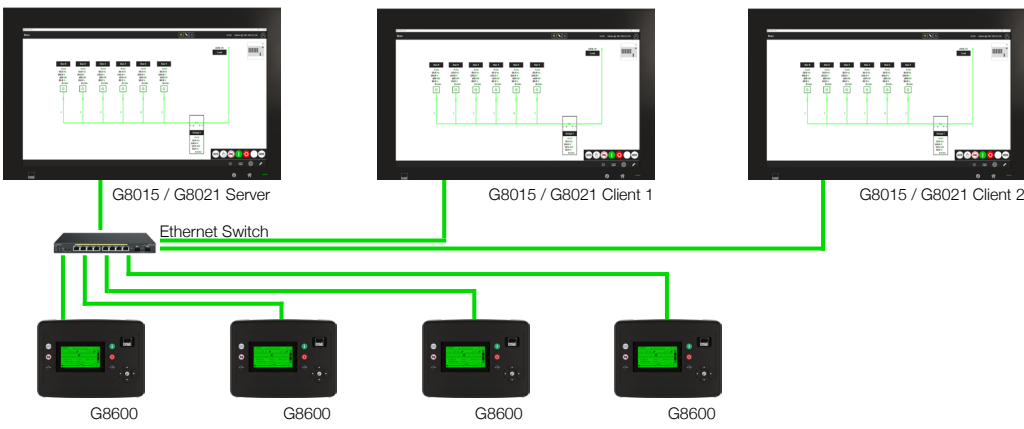
Related Products		
Controllers Compatible with DSE SCADA		
G8600	Parallel Genset Controller with Integral Heater	G8600-01
G8660	ATS / Mains (Utility) Controller	G8660-01
G8680	Bus Tie Controller	G8680-01
Expansion Devices Compatible with DSE SCADA		
DSE2130	DSENet® Input Expansion Module	2130-01
DSE2131	DSENet® Ratiometric Input Expansion Module	2131-01
DSE2133	DSENet® RTD/Thermocouple Input Expansion Module	2133-01
DSE2152	DSENet® Analogue Output Expansion Module	2152-01
DSE2157	DSENet® Output Expansion Module	2157-01
DSE2548	DSENet® LED Output Expansion Module	2548-01
Battery Chargers		
DSE9470 MKII	24 Volt 10 Amp Intelligent Battery Charger	9470-01

Typical Application Examples

Single Panel PC Configuration



Server / Client Panel PC Configuration



DEEP SEA ELECTRONICS UK
 T: +44 (0) 1723 890099
 E: sales@deepseaelectronics.com
 W: www.deepseaelectronics.com

DEEP SEA ELECTRONICS USA
 T: +1 (815) 316 8706
 E: usasales@deepseaelectronics.com
 W: www.deepseaelectronics.com

DEEP SEA ELECTRONICS UAE
 T: +971 (0) 45910819
 E: uaesales@deepseaelectronics.com
 W: www.deepseaelectronics.com

DEEP SEA ELECTRONICS INDIA
 T: +91 20 68195900
 E: sales@deepseaelectronics.com
 W: www.deepseaelectronics.com

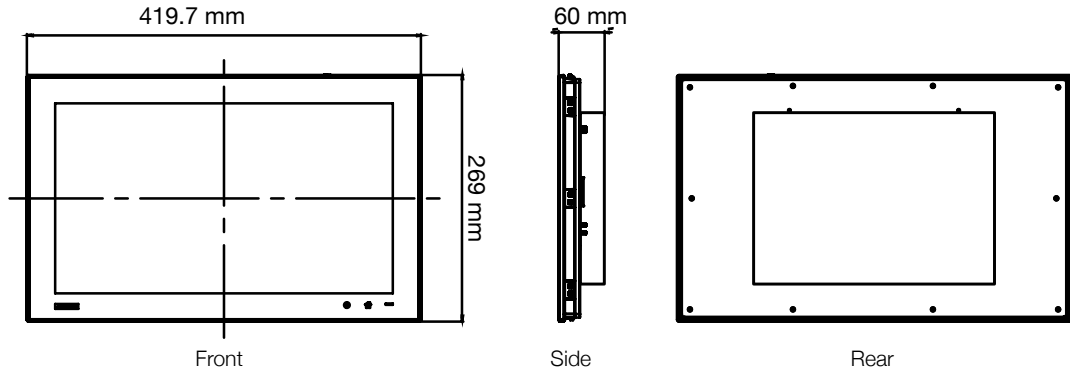
DSEG8015 / DSEG8021

15.6" Panel PC with DSE SCADA / 21.5" Panel PC with DSE SCADA

Part Number: G8015-01 / G8021-01

Technical Drawings

G8015



G8021

