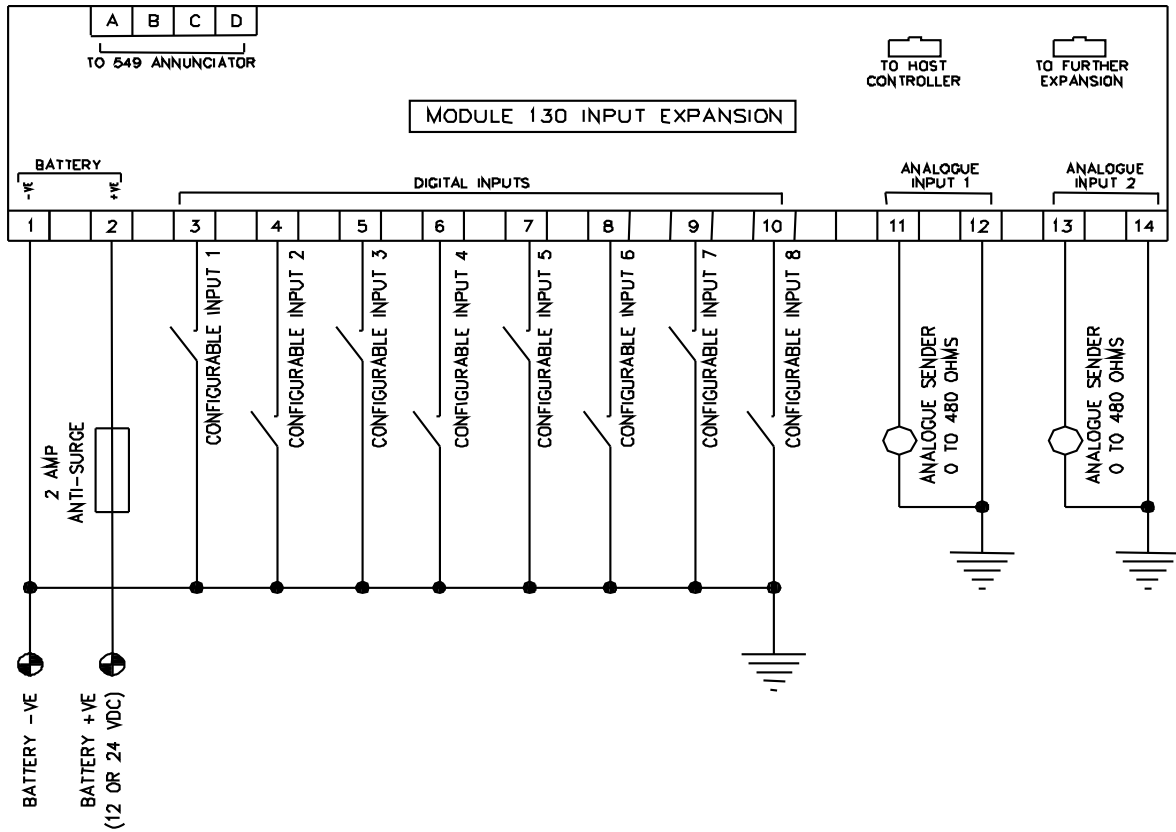
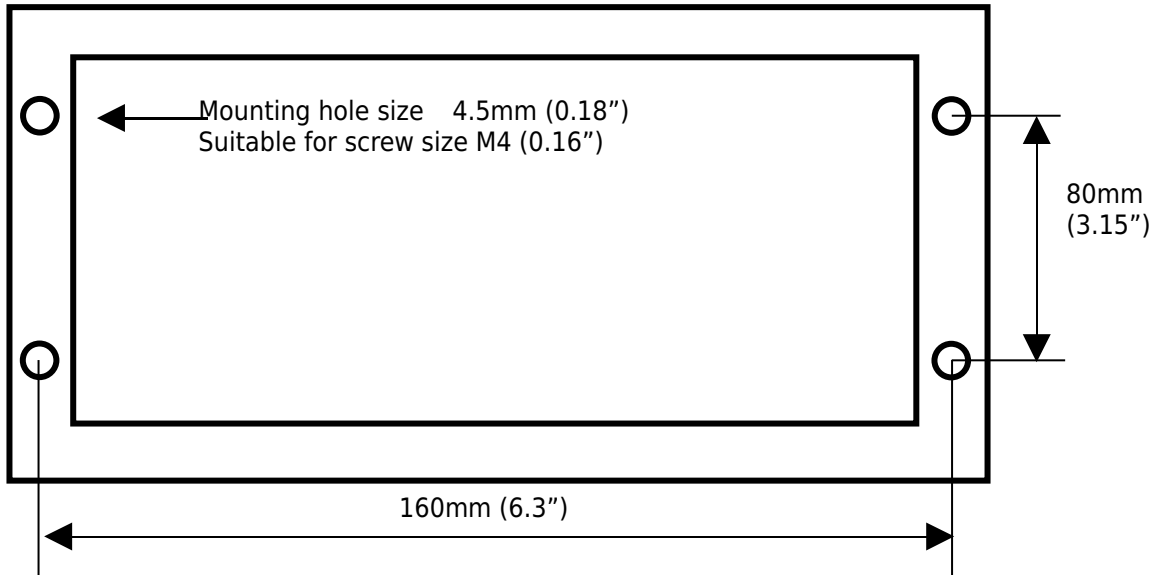


P130 TYPICAL WIRING DIAGRAM



P130 MOUNTING DETAILS



P130 OVERALL DIMENSIONS

171mm x 115mm x 49mm (6¾" x 4½" x 2")

Deep Sea Electronics Plc.
 Highfield House, Hunmanby Industrial Estate
 North Yorkshire. YO14 0PH.
 Tel (+44) (0)1723 890099
 Fax (+44) (0)1723 893303
 Email - sales@deepseapl.com
 Web - www.deepseapl.com

Deep Sea Electronics inc.
 5301 E. State St. - Suite 202
 Rockford, Illinois. 61108 U.S.A.
 Phone +1 (815) 316-8706
 Fax +1 (815) 316-8708
 Email - dsesales@deepseausa.com
 Web - www.deepseausa.com