

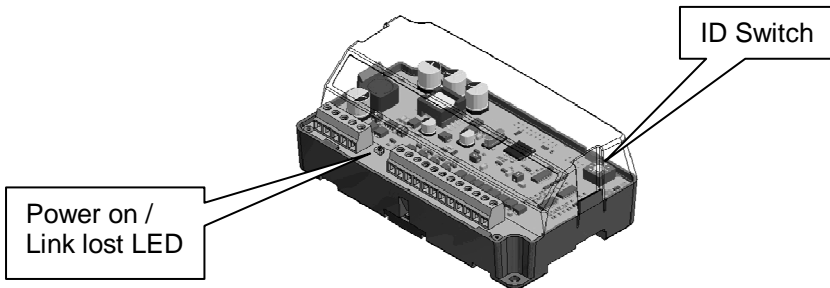
2130 Input Expansion Installation Instructions

Introduction

DSE2130 input expansion module is used in conjunction with supported DSE controllers to provide additional input functionality (4 x analogue inputs and 4 x digital inputs). The inputs are configured in the 'host controller', the DSE2130 module is not itself configured apart from the 'ID switch' detailed below.

For further details on configuring the 'host controller' you are referred to the relevant configuration software manual.

Controls and indications



LED Indications

Function	Colour	Action
Power on / Link lost	RED	Steady when DC supply is connected and data is being received from the host controller. Flashing when the DC supply is connected and the data connection to the host controller is not operating.

ID switch

The rotary ID switch is used to select the 'Identification' of the 2130 expansion module as the host controller is capable of giving instructions to a number of 2130 expansion modules at the same time (consult relevant modules instructions for further details on number of supported expansion units).

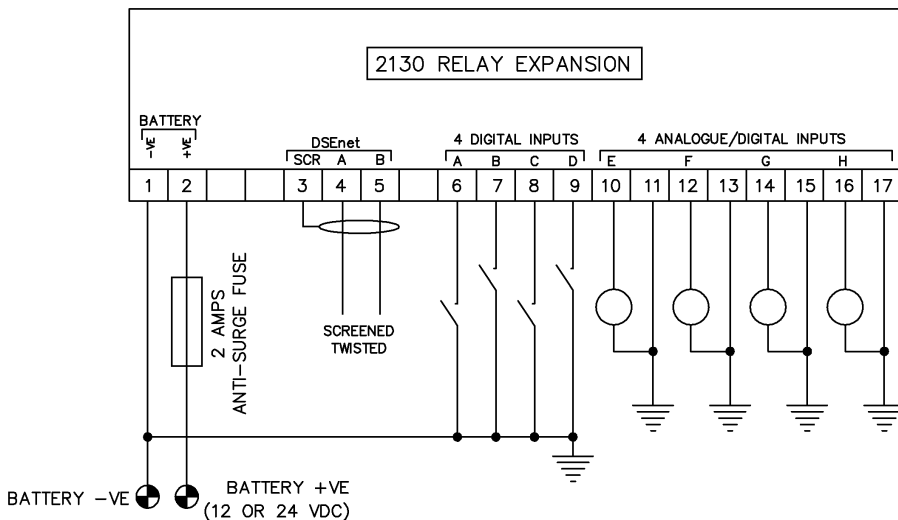
The enclosure cover must be unclipped and removed to gain access to the switch. The switch should be operated using a small screwdriver and set to match the required address.

NOTE : The ID must be set to be a unique number, different from the ID of any other 2130 input expansion module connected on the DSEnet.

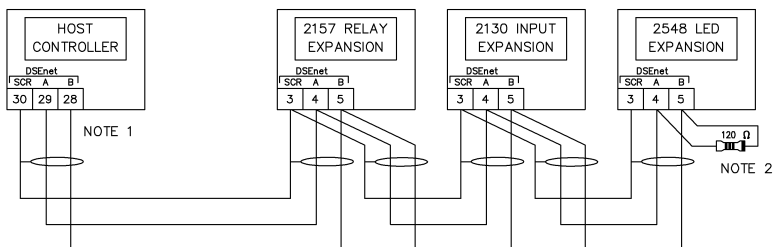
NOTE : The selection of the ID of other types of expansion modules WILL NOT interfere/clash with the ID of the 2548. For instance if the 2548 is set to ID 4, it is acceptable to have a different type of expansion module (for instance 2130) set to ID 4 also.

Typical wiring diagrams

2130 SHOWN CONNECTED AS 4 DIGITAL INPUTS AND 4 ANALOGUE INPUTS



NOTE : Configuration of the inputs is performed in the host controller. For details of connection to the analogue inputs when configured as 'digital', refer to the operator manual.



NOTE 1
AS A TERMINATING RESISTOR IS INTERNALLY FITTED TO THE HOST CONTROLLER, THE HOST CONTROLLER MUST BE THE FIRST UNIT ON THE DSEnet

NOTE 2
A 120 OHM TERMINATION RESISTOR MUST BE FITTED TO THE LAST UNIT ON THE DSEnet

Dimensions

Overall size	133.9mm x 76.4mm x 48.9mm (5.27" x 3.01" x 1.93")
Mounting type	DIN rail or chassis mounting
Din rail type	EN 50022 35mm type only
Mounting holes	M4 clearance
Mounting hole centres	122.5mm x 64.5mm (4.82" x 2.54")

Deep Sea Electronics Plc.

Tel: +44 (0)1723 890099
 Fax: +44 (0)1723 893303
 LO CALL (from UK BT landlines):
 Telephone 0845 260 8900
 Email: sales@deepseapl.com
 Web: www.deepseapl.com

Deep Sea Electronics Inc.

Phone: +1 (815) 316-8706
 Fax: +1 (815) 316-8708
 TOLL FREE (USA only): Tel: 1 866 636 9703
 Email: sales@deepseausa.com
 Web: www.deepseausa.com

Deep Sea Electronics Plc.

(Far East)

Tel: +66 2 670 6228
 Fax: +66 2 678 3028
 Email: sales@deepseapl.com
 Web: www.deepseapl.com