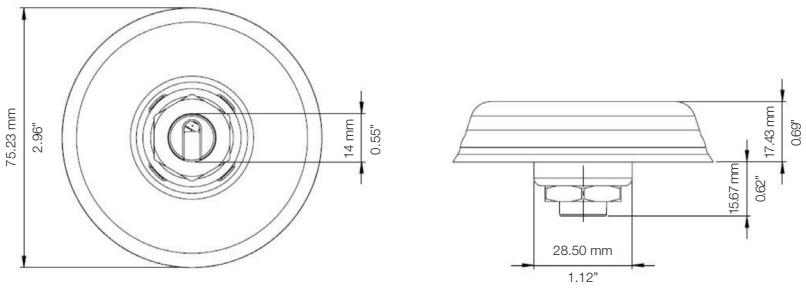


020-150

GSM ANTENNA



TYPE	Cellular/Wi-Fi/Bluetooth Antenna
FREQUENCIES	AMPS (824 MHz - 894 MHz) GSM (900 MHz) DCS (1800 MHz) PCS (1900 MHz) 3G (UMTS 2.1 GHz) Wi-Fi/Bluetooth (2.4 GHz)
MOUNTING	Body mounting, IP67/IP69K/IK09
IMPEDANCE	50 Ω
POLARISATION	Linear
GAIN	2.2 dBi (depending on ground plane size)
VSWR	<2:1
PROTECTION	IP67/IP69K/IK09
OPERATING TEMPERATURE	-40 °C to +85 °C -40 °F to +185 °F
MATERIAL	Housing – ABS Base – Zamak Gasket – TPE
MAXIMUM DIMENSIONS	<p>Depth when mounted (excluding bolt) 77.4 mm x 15.9 mm 3.04" x 0.62"</p> 
BOLT	<p>Bolt height 16 mm 0.63"</p> <p>Bolt Diameter M14 0.56"</p> <p>Nut size M14 0.56"</p>
WEIGHT (Based on 2.5 m cable length & FME connector)	150 g 5.29 oz
COLOUR	Black


DEEP SEA ELECTRONICS PLC UK

Highfield House, Hunmanby Industrial Estate, Hunmanby YO14 0PH
TELEPHONE +44 (0) 1723 890099 **FACSIMILE** +44 (0) 1723 893303
EMAIL sales@deepseapl.com **WEBSITE** www.deepseapl.com

Deep Sea Electronics Plc maintains a policy of continuous development and reserves the right to change the details shown on this data sheet without prior notice. The contents are intended for guidance only.

DEEP SEA ELECTRONICS INC USA

3230 Williams Avenue, Rockford, IL 61101-2668 USA
TELEPHONE +1 (815) 316 8706 **FACSIMILE** +1 (815) 316 8708
EMAIL sales@deepseausa.com **WEBSITE** www.deepseausa.com

Registered in England & Wales No.01319649
 VAT No.316923457