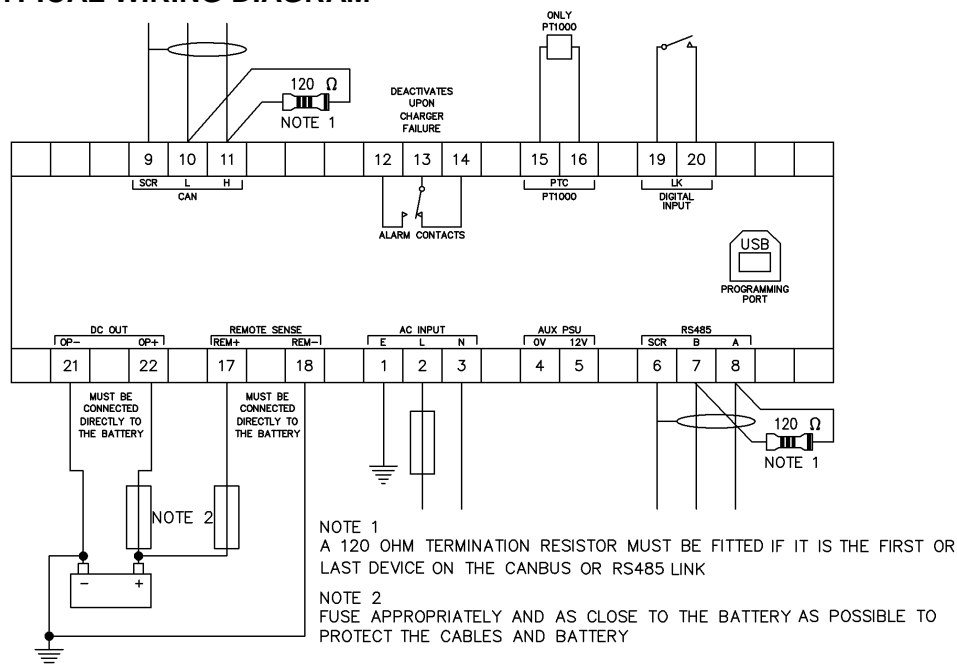


## TYPICAL WIRING DIAGRAM



Connection Type	Screw terminal, rising clamp, no internal spring	
Minimum Cable Size Accepted in Terminal (AC Supply & Battery Connection)	1.5 mm <sup>2</sup> (AWG 16)	
Maximum Cable Size Accepted in Terminal (AC Supply & Battery Connection DSE945x)	25 mm <sup>2</sup> (AWG 4)	
Maximum Cable Size Accepted in Terminal (AC Supply & Battery Connection DSE9479)	50 mm <sup>2</sup> (AWG 4)	
Minimum Cable Size With Output Configured at 10 A	AC Supply: 4 mm <sup>2</sup> (AWG 11)	Battery Connection: 4 mm <sup>2</sup> (AWG 11)
Minimum Cable Size With Output Configured at 50 A	AC Supply: 4 mm <sup>2</sup> (AWG 11)	Battery Connection: 25 mm <sup>2</sup> (AWG 4)
Minimum Cable Size With Output Configured at 100 A (DSE9479)	AC Supply: 8.34 mm <sup>2</sup> (AWG 8)	Battery Connection: 50 mm <sup>2</sup> (AWG 0)
Minimum Cable Size Accepted in Terminal (Other Connections)	0.5 mm <sup>2</sup> (AWG 20)	
Maximum Cable Size Accepted in Terminal (Other Connections)	2.5 mm <sup>2</sup> (AWG 14)	
Recommended AC Fuse DSE9450 & DSE9479	<b>230 V AC Input</b> 30 A anti-surge	<b>110 V AC Input</b> 30 A anti-surge
Recommended AC Fuse DSE9452	<b>230 V AC Input</b> 20 A anti-surge	<b>110 V AC Input</b> 30 A anti-surge



**DEEP SEA ELECTRONICS**  
DSE9450, DSE9452 & DSE9479  
Installation Instructions

053-178  
ISSUE 3

**DANGER OF DEATH: LIVE PARTS** exist within the DSE9450 & DSE9452 enclosure. The enclosure cover must not be removed.

## INSTALLATION

The battery chargers are designed to be mounted within a control panel, utilising the integral mounting holes and supplied mounting bracket. The battery charger is fit-and-forget. It may be permanently connected to the supply and the load, with no requirement to disable the charger during times of heavy load (such as engine cranking) or when in parallel with a charging alternator.

## BATTERY SUITABILITY

The battery chargers are factory set by DSE to suit Lead Acid batteries and may be ordered to suit other battery types. Additionally, configuration is possible using the DSE Configuration Suite PC Software to suit other battery types. Care must be taken to ensure the batteries connected to the charger are of the correct 'technology' to suit the setting of the charger.

## INDICATIONS

The battery chargers feature LED indicators to show the battery charger Status.

**NOTE:** The battery chargers are designed to be mounted with the base to a vertical surface with the mounting bracket and fan ventilation cutouts at the top.

**NOTE:** This document is intended as a 'quick start' guide only. For full operating instructions and specifications, refer to DSE publication: **057-240 DSE9450 & DSE9452 Operator Manual** or **057-264 DSE9479 Operator Manual**.

### Deep Sea Electronics Plc.

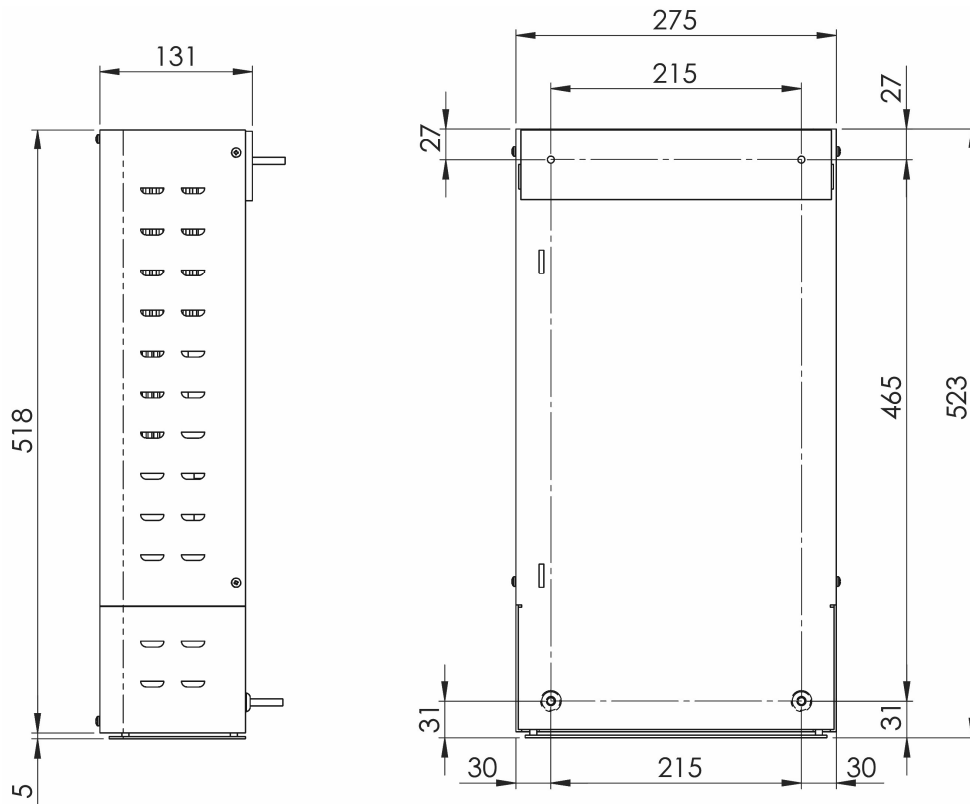
Tel: +44 (0)1723 890099  
Fax: +44 (0)1723 893303  
Email: sales@deepseapl.com  
Web: www.deepseapl.com

### Deep Sea Electronics Inc.

Phone: +1 (815) 316-8706  
Fax: +1 (815) 316-8708  
Email: sales@deepseausa.com  
Web: www.deepseausa.com

## DIMENSIONS AND MOUNTING

Case Dimensions	523 mm x 275 mm x 131 mm (20.16 " x 10.34 " x 4.9 ")
Mounting Holes Dimensions	Suitable for M5 ( $3/16$ " diameter)
Mounting Hole Spacing	465 mm x 215 mm (8.5 " x 18.3 ")
Required Ventilation Spacing	100 mm (3.9 ") air space around the battery charger.



Dimensions stated in mm.

## MOUNTING INSTRUCTIONS

1. Secure the top mounting bracket using holes provided. Ensure the bracket is in the correct orientation with the hooks directed upwards and with sufficient air space to not obscure airflow.
2. Hook the battery charger onto the mounting bracket. Secure bottom of battery charger using holes provided.

